



Orifice Plates – Universal serie

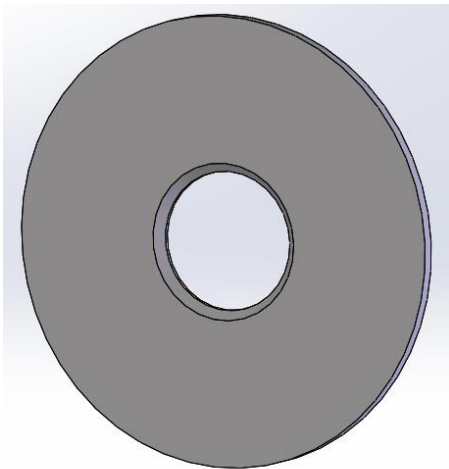
At the heart of many of our products is the orifice plate. This product range includes our revolutionary **eps-plate¹** and **eps-plate²** designed for total ease of installation and inspection.

The **eps-plate¹** can be interchangeable with other flow meter brand and even tough guarantee the quality and measurement requirements as per ISO/AGA standards.

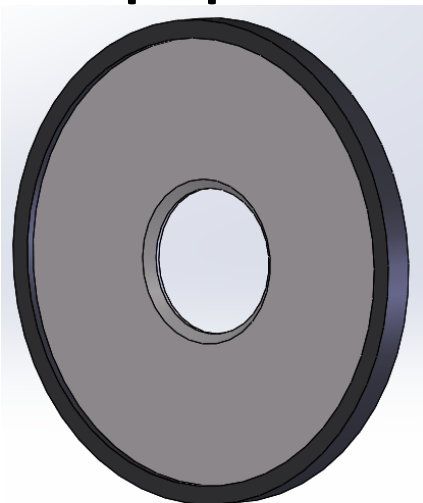
The **eps-plate²** also can be interchangeable and meeting ISO/AGA requirements but the plate comes with a bonded rubber seal guarantying the quality of measurements and sealing the plate.

Our philosophy is to create perfection and simplicity and this has certainly been achieved with **the eps-plate¹** and **eps-plate²** accompanying **meter¹** & **meter²** orifice metering products.

eps-plate¹



eps-plate²



Features & Benefits

- Quick and easy plate replacement with no down-time.
- Ensures correct orifice plate installation and prevents 15% additional uncertainty
- Field repairable.
- Special trim available
- Pressure ratings – 150# to 10,000 PSI.
- Available sizes 2 to 48 inch

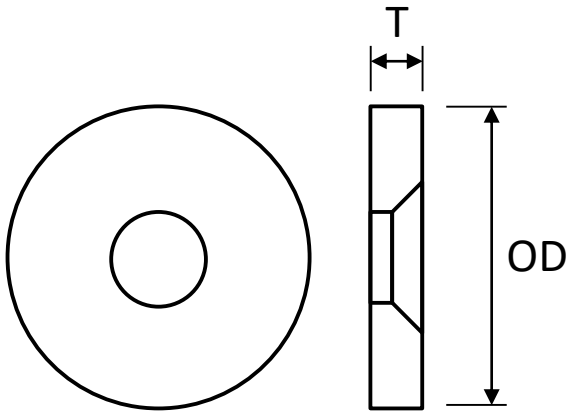
Options

- A vast range of materials from stainless to exotic materials for demanding services such as Duplex and Inconel.
- UKAS calibration



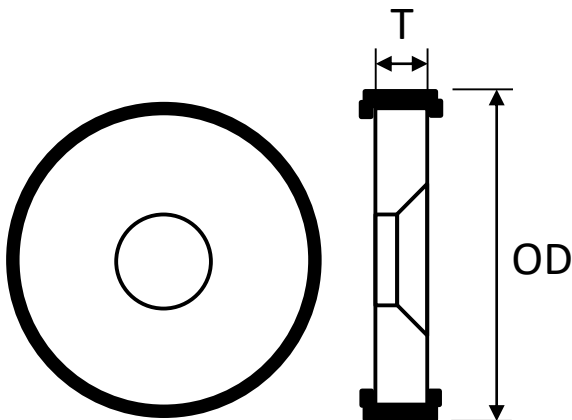
Orifice Plates – Universal serie

Plate¹ (Universal orifice plate, shall work with separable seal)



Line size (in)	6	8	10
OD (in)	6,437	8,437	10,687
T (in)	0,125	0,250	0,250

Plate² (Universal orifice plate with DVS bonded seal)

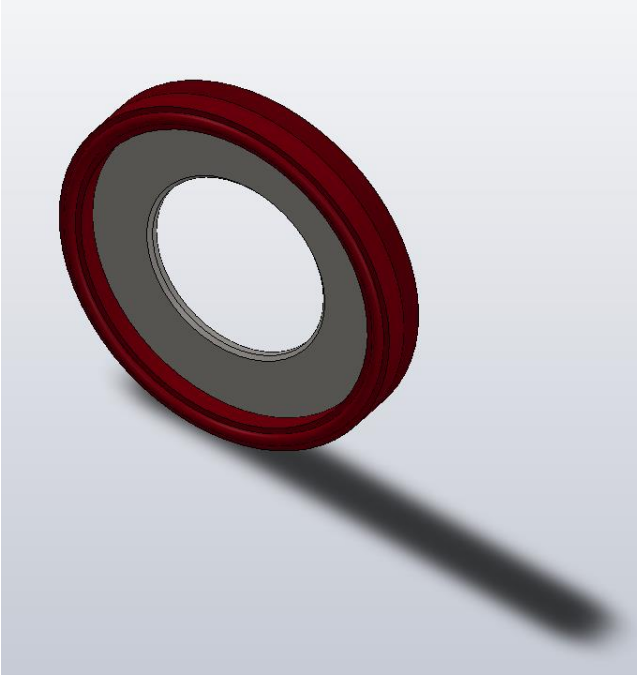


Line size (in)	12	16
OD (in)	6,437	10,687
T (in) (Excluding seal)	0,125	0,250



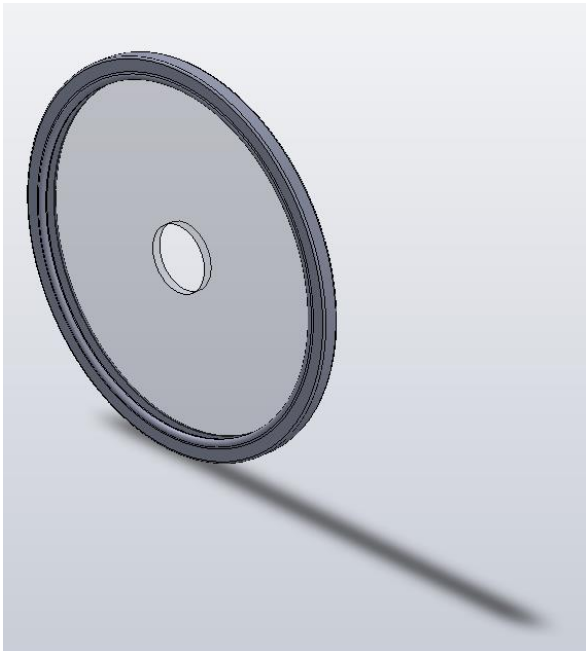
Orifice Plates – Universal serie

Plate¹ (Universal with separable seal) 4" to 10"



The most simple and practical orifice plate sealing system. A seal in two halves is precision machined, providing high reliability seal around the plate. Fully compatible with natural gas, AGA-3 requirements and leak free

Plate² (Universal orifice plate with DVS bonded seal) 12" to 16"



High reliability sealing system. A seal in two halves is precision moulded and vulcanized over the orifice plate, producing a perfect bonded seal. Fully compatible with natural gas, AGA-3 requirements and leak free